

# beacon

Taking up less than 80mm of desk space polarBEACON can be mounted either directly on the surface or through a standard 80mm grommet hole.

The all in white BEACON allows the user easy access to power and data. Used in conjunction with underdesk cable management BEACON offers a total workstation solution.

For further information please contact **OE** Electrics.



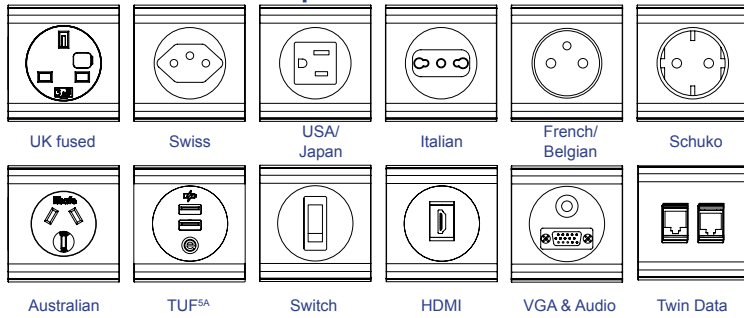
## USPs

- Versatile & stylish desktop unit
- Available with TUF charger
- Part of the 'polar' family
- BS6396 compliant (where applicable)
- Available with power sockets from different nationalities

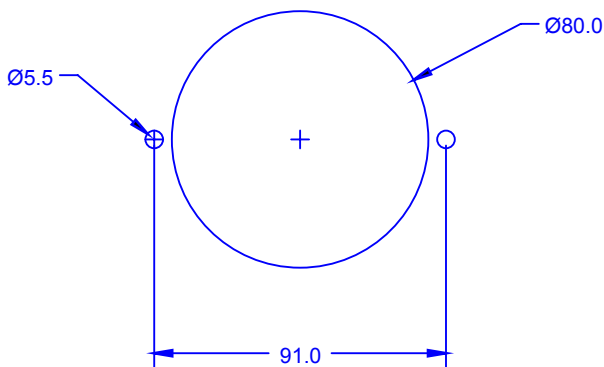
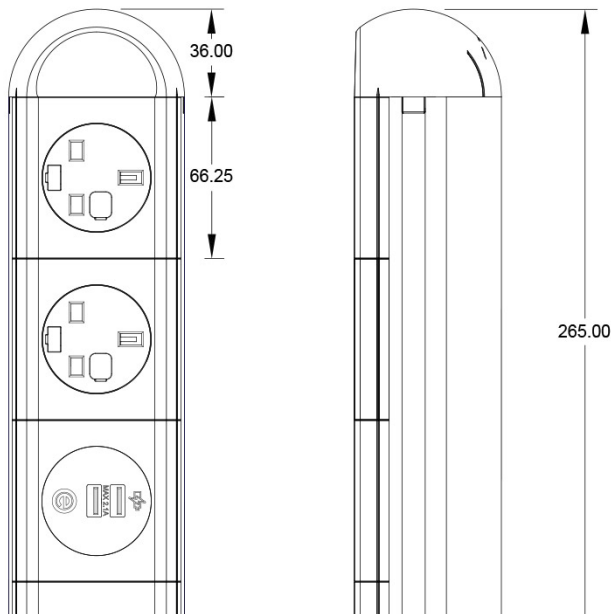
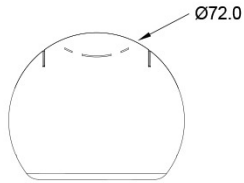


# technical

## Common Modular Components\*



\*See website for more



## Features

### Configuration:

Power/USB charging only / Data/AV only or combined Power/USB charging and Data/AV. Internal segregation between Power and Data/AV in combined BEACON

### Insulation:

Earthed aluminium casing with fire retardant ABS fascias. Internal 2000V protective membrane is incorporated to give additional insulation/protection.

### Earth Bonding:

Discreet 'easy-connect' earth terminal in endcap of unit as standard via female push-on.

### Fusing: (to enable compliance to BS6396)

5 x 20mm anti-surge ceramic fuses, with colour-coded fuseclips to denote the rating (3.15A/5A)

### Testing:

100% testing - continuity, polarity, insulation & earth

### Soft Wiring (power)

Power hardwired to Wieland GST connector allows starter cables to be changed to suit requirements, especially useful during moves and changes (CHURN)

### Soft Wired Data

As well as soft-wired power, BEACON can accommodate soft wired data. Using our inline couplers, data cables can be changed "on-site" to accommodate changes in length often associated with churn. Where keystone sockets are used, our unique colour coded range of adaptors allow keystone sockets to be fitted 'flush'.