

phase



Phase is an exciting new concept in power modules from OE electrics, that is ideal for providing convenient but discreet power and data in offices, hotels, restaurants, airports and many other locations.

Compact, robust and unconstrained by convention, you will find Phase with its innovative concealed mounting bracket and through back or through base cable entry options, simple to securely install on desks, tables and soft furnishings.

Phase is available in either white or black with your choice of grey or black socket fascias. The two socket apertures can be configured with a combination of power and data sockets from the extensive OE 42mm modular range.



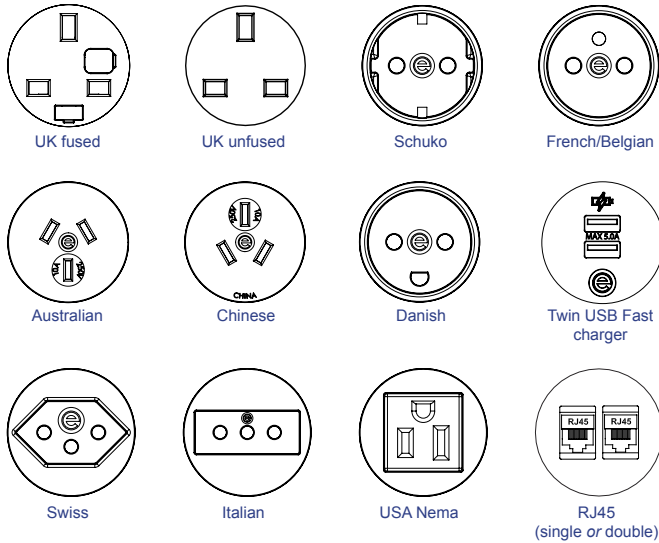
USPs

- Stylish, compact & robust design
- On or Under fitting solutions
- Hidden fitting bracket
- TUF^{5A} USB charger option
- Available in black or white
- International power options

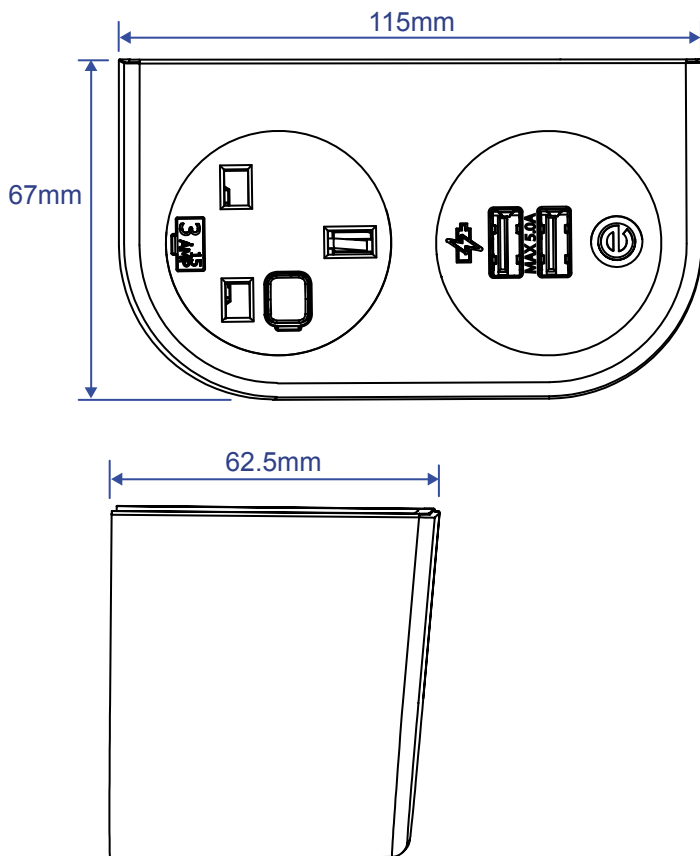


technical

Common Modular Components



Unit dimensions



Features

Configuration:

The PHASE double socket apertures may be configured with our class leading 5A Twin USB Fast charger (TUF) or an AC power socket from the OE 42mm modular range. PHASE can also be configured with data and/or AV sockets. Through back or through base power and data cable entry options.

Construction:

Phase comprises high-strength and flame retardant polycarbonate main body and back mouldings, plus a nylon slide-on/clip-on universal mounting bracket. OE snap-in “42mm” modular power socket /TUF fascias are moulded from polycarbonate. Phase can also be supplied with custom metal fixings, e.g. to attach to steel sections in soft furnishing.

Colours:

- Body - black or white
- Power socket fascia - black or grey
- TUF fascia - black or grey
- Data/AV fascia - black or grey
- Power cable - white or black

Fusing: (to enable compliance to BS6396)

UK sockets can be specified with 5 x 20mm anti-surge ceramic fuses, with colour-coded fuse clips to denote the rating (3.15A/5A)

Quality and Testing:

All PHASE units are manufactured using ISO9001 quality controlled components and practices, and are 100% tested before dispatch

- Visual: Configuration and appearance.
- Power sockets: Continuity, polarity, insulation & earth
- USB charger: Output voltage and resistance
- Data & AV: All sockets continuity tested with batch performance testing

“we test every pin in every socket in every module”.

Soft Wiring (power)

Hardwired to either a mains AC plug, or a male Wieland GST connector for “soft wiring” e.g. connection to an under desk power module or direct to a floor socket via a starter cable.

Compliant with: BS5733-2010 and IEC60884-1

Certifications:

UL962A/CSA22.2

CE marking:

All units built with UK and European socket types are CE marked by OE Electrics