

PEAK with its eye-catching “floating surface” design, is an elegant new approach for providing power and data connectivity in meeting tables. Choose PEAK in classic brushed stainless steel with black sockets or in matt white with grey sockets for a more contemporary look.

Available as with either 6 or 8 sockets, PEAK can be configured with a wide range of International AC sockets, the class leading OE TUF^{5A} USB charger and a range of Data and AV options.

PEAK is easily installed and despite a low visual profile, requires only 50mm mounting depth. Four supplied M8 screw clamps are then all that is needed to fix Peak securely in place.



PEAK in white with grey sockets



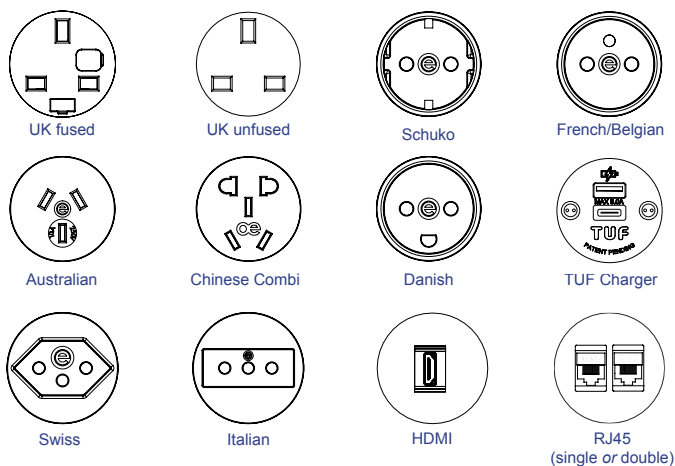
PEAK in brushed stainless steel with black sockets

USPs

- Sleek spill proof profile
- UK and International AC sockets
- OE TUF^{5A} option
- Data and AV compatible
- 50mm mounting depth

technical

Common Modular Components*



*We stock a variety of other configurations, please call for availability

Installation

PEAK 60 is designed to fit into a 193mm x 132mm cut-out, while PEAK 80 fits a 272mm x 132mm cut-out (corners of cut-outs must not be radiused). Both are suitable for table tops 10mm-30mm thick, and are secured by the supplied 4x screw clamps.

Fusing

To enable compliance to BS6396 UK sockets are fitted with 5 x 20mm anti-surge ceramic fuses, with colour-coded fuse clips to denote the rating (3.15A/5A)

Powercord options

PEAK may be hardwired to a mains AC plug, or male Wieland GST18 connector for "soft wiring" e.g. connection to an under desk module or to a mains supply socket via a starter cable. Alternatively, PEAK may be fitted with an OE 'J' coupler.

Quality and Testing

All PEAK units are manufactured using ISO9001 quality controlled components and practices and are 100% tested before dispatch.

- Visual: Configuration and appearance.
- Power sockets: Continuity, polarity, insulation & earth
- USB charger: Output voltage and resistance
- Data & AV: All sockets continuity tested with batch performance testing.

CE Marking

All units built with UK and European socket types are CE marked by OE Electrics as complying with:

- Electromagnetic Compatibility Directive 2014/30/EU
- Low Voltage Equipment Directive 2014/35/EU
- RoHS2 Directive 2011/65/EU

Certifications

AC Power sockets are certified to the appropriate national/international standard eg: BS1363/5733, IEC60884-1, CCC, AS/NZS3112
OE TUF5A: Certified to IEC60950-1/UL60950-1

Features

Configuration

The 6 or 8 PEAK socket apertures can be configured with any combination of AC power sockets from the OE Electrics 42mm international range, our class leading TUF5A USB charger and most types/makes of Data/AV.

Construction

Socket frame: Brushed stainless steel or powder coated mild steel.

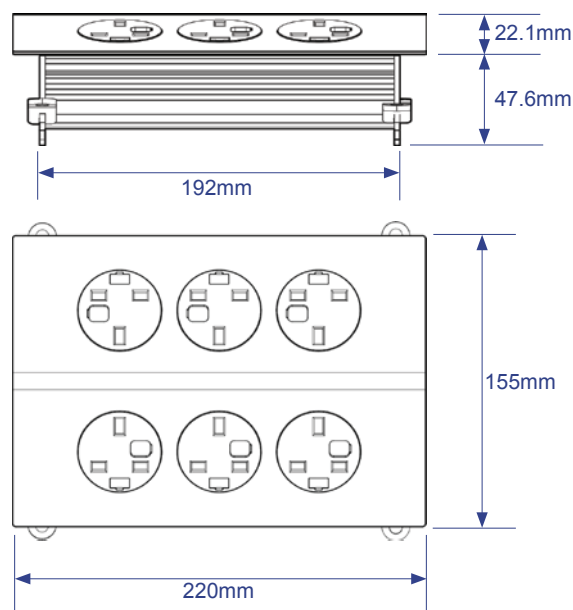
Body: Aluminium extrusion:

End caps: 3mm powder coated mild steel.

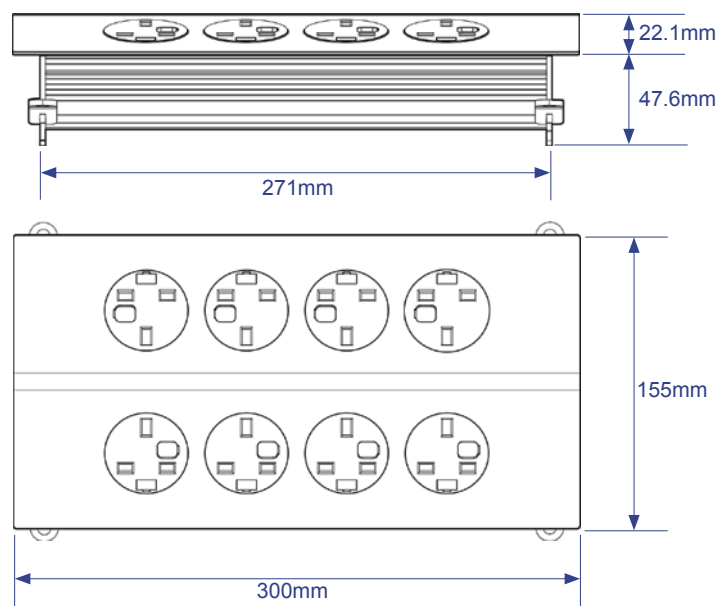
Colour

Matt White (9003) top plate and grey socket fascias, or Brushed stainless steel top plate and black socket fascias

PEAK60 Dimensions



PEAK80 Dimensions

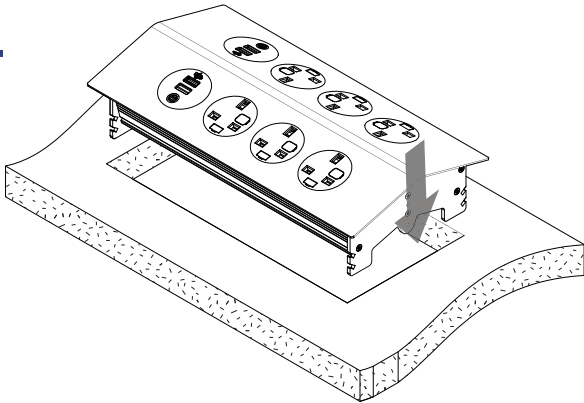


technical

Fitting instructions

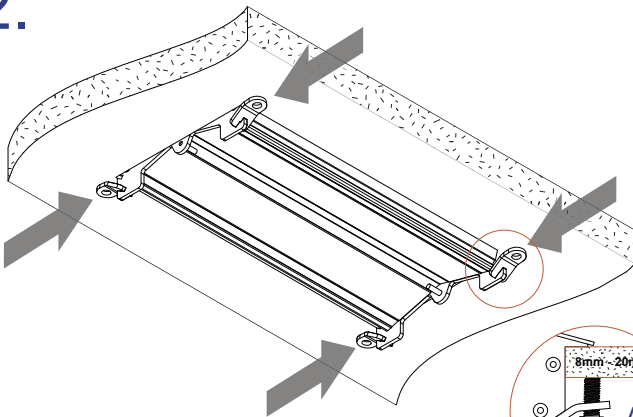
PEAK cut-out dimensions

1.



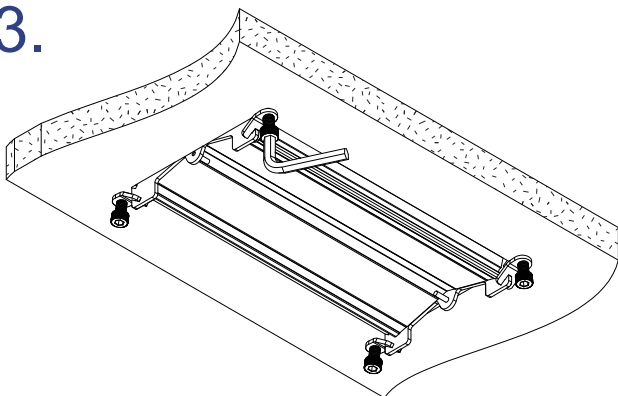
Place PEAK into the cutout ensuring that any cables are not trapped in the process.

2.

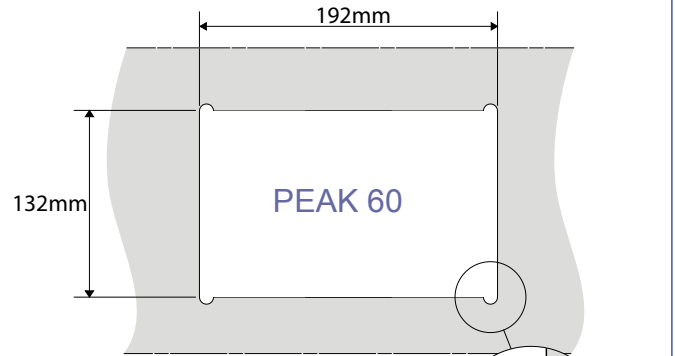


Insert the fixing mounts into the slots on the unit. There are two slots to accommodate varying desk thicknesses. The upper fixing feature (A) is suitable for surfaces 8 - 20mm thick, and lower fixing feature (B) is suitable for surfaces 18-30mm thick.

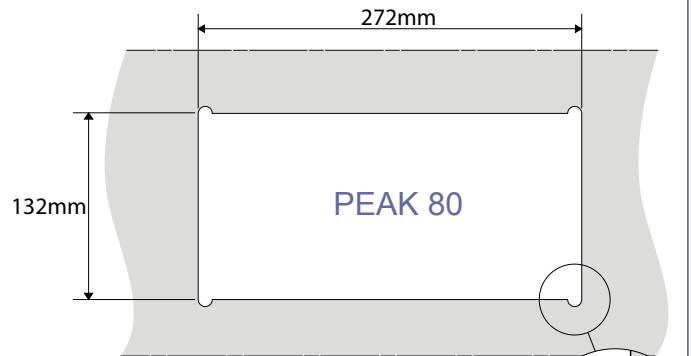
3.



Screw the provided M8 x 20mm cap head fixing bolts through the fixing mounts until the unit is secure. Ensure that your cables are suitably managed - Solutions are available from OE Electrics.



PEAK 60 requires a cutout of 132mm x 192mm and is suitable for desk surfaces 8mm - 30mm thick.



PEAK 80 requires a cutout of 132mm x 272mm and is suitable for desk surfaces 8mm - 30mm thick.



Do not overtighten as table-top and/or Peak unit may become damaged