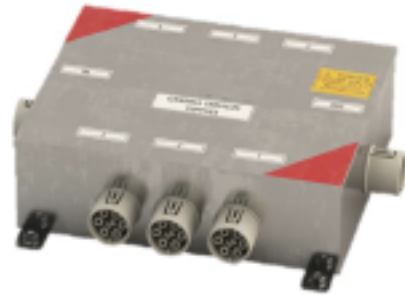


1 IN 7 OUT UNDERFLOOR BOX

1 in 7 out single circuit underfloor distribution box. Potential applications include desk, grommet and floor box supplies.



TECHNICAL SPECIFICATION

Number of Poles: 3

Power Diameter: 6.0mm²

Inputs: 1

Outputs: 7

Rate current (A): 32 A (max)

Rate impulse voltage: 4 kV

Rated Voltage: 250 V / 400 V

Frequency (HZ): 50 Hz

Mechanical Coding: Code 1 (Blue)

Lockable: Self locking (unlocking by tool)
conforming to IEC61535

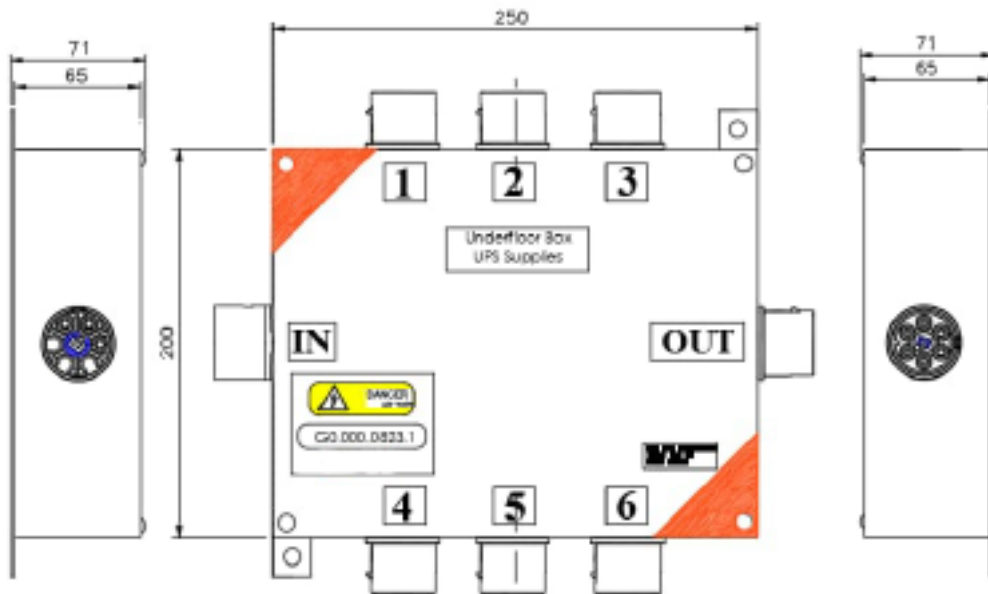
Degree of protection (IP): IP20 (disconnected),
IP40 (connected)

Connector standard: IEC61535:2009+A1:2013

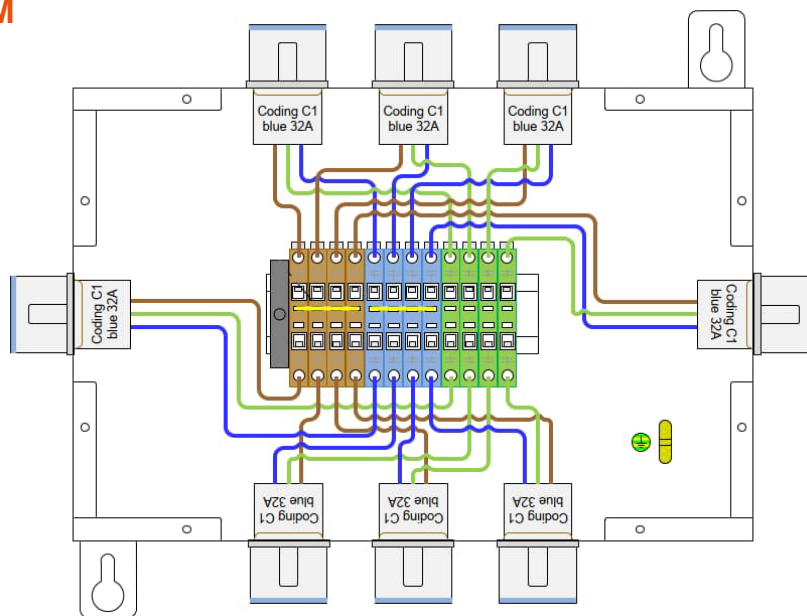
QMS: ISO9001:2016

Wiring and Test Standard:
BS8488:2009+A1:2010

1 IN 7 OUT UNDERFLOOR BOX



WIRING DIAGRAM



Warning: This device should be installed by a Qualified Electrician in accordance with the latest edition of the IEE Wiring Regulations and any applicable building regulations.