



The ARC-H sub surface wireless charger offers the ultimate in charging convenience. With a charging range of 15-30mm, ARC-H can be installed without the need to cut into the underside of the surface for most standard installations.

A simple decal is all that is required to guide placement of mobiles on the surface.

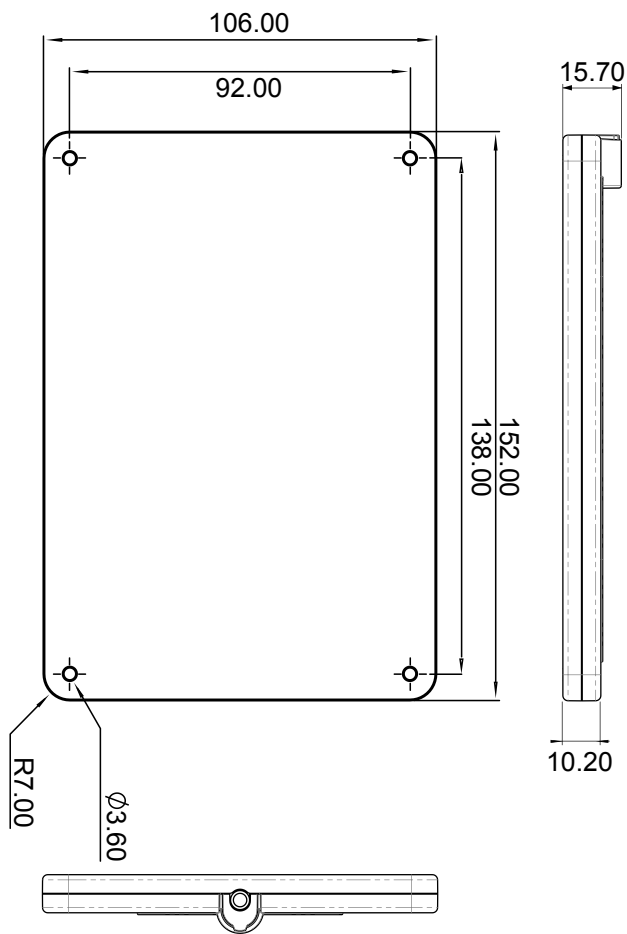
ARC-H is designed for the easiest of installations, simply affix to the underside of the surface with the screws supplied. The decal is then placed on the surface using the unique magnet alignment method.

With 10W of charging power ARC-H is one of the fastest sub surface wireless chargers on the market, convenient for a quick boost or full charge when you need it most.



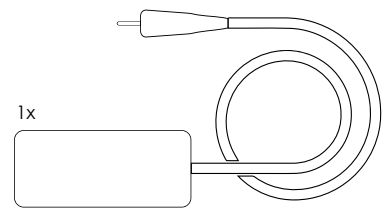
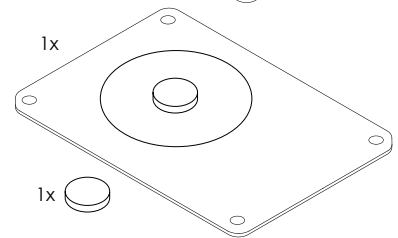
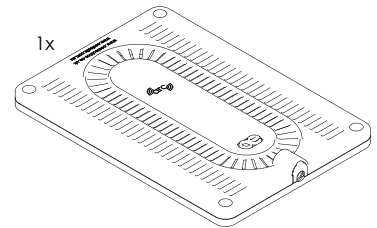
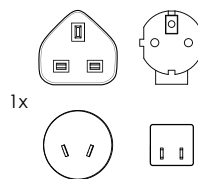
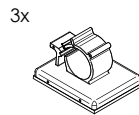
- 10 Watts of charging power
- Power range 15-30mm
- No cutting install
- Fast charge for Samsung (10W)
- Apple (7.5W)

## ARC-H Dimensions



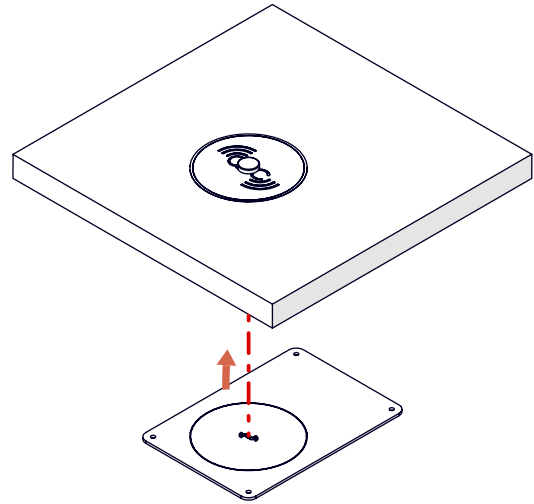
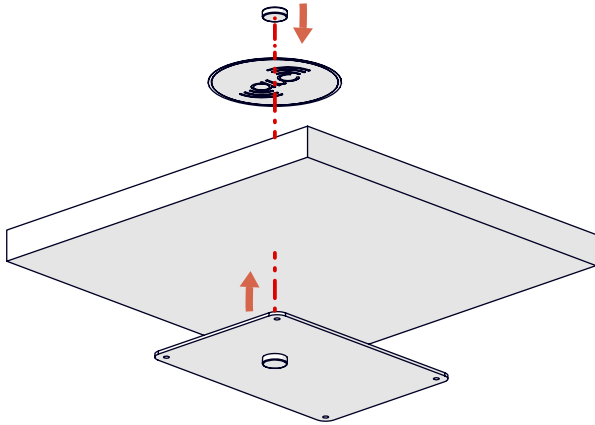
## Specifications

Output power:	Up to 10W
Input power:	19V/0.94A
Standby power:	0.2W
Charging Z-Distance:	15-30mm (coil to coil)
Desk Thickness:	No routing for surfaces up to 25mm. (thicker surfaces require under desk routing)
Certification:	IEC 60950-1 (Safety) EN62311 (Health) EN 301 489-1, EN 301 489-3 (EMC)EN 303 417 (Radio)
Available colours:	Black
In the box:	1 x ARC-H, 1 x Power Adapter with 1.5m lead, 4 x Desktop Decals (2 x large, 2 x small), 1 x Alignment Magnet, 1 x Alignment Template, 3 x Cable Clips, 1 x Installation Manual.



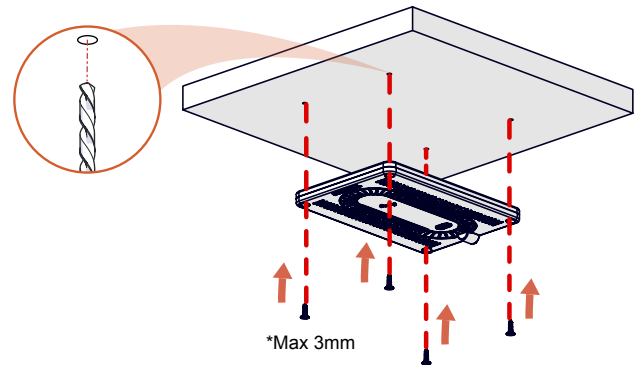
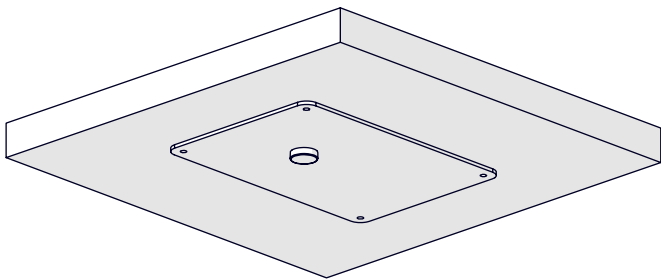
# Installation

Due to ARC-Hs wireless range there is no need to rebate the table surface for thicknesses up to 25mm.



Position your wireless charging decal sticker on the desk where you would most likely charge your phone. Make sure there is no desking frame work underneath to interfere with the ARC-H charger. Place one of the provided magnets in the centre of the sticker.

Underneath the surface, use the second magnet with the cardboard template to correctly position the template the template to mark the screw holes.



Once screw positions are marked, screw into place the ARC-H wireless charger and plug in the power supply taking care to properly cable manage any loose cables.

Finally remove the backing from the wireless marker and stick firmly on the surface.

