



PELICAN is a flexible and convenient solution to bring power and USB charging to previously unpowered areas. Its contemporary looks and advanced technology allows users to charge their devices wherever they are. PELICAN's stylish stable construction can easily be moved and positioned to suit the requirements of the situation.

Perfect for soft seating, breakout and occasional areas, PELICAN is designed with high usage in mind such as Cafe's, hotel foyers and airports. Available in a range of dynamic colour combinations and in 600mm or 900mm tall versions, PELICAN will integrate into your interior design for any space.



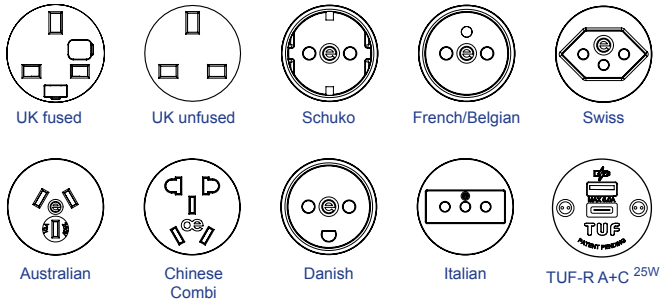
USPs

- Choice of 600mm or 900m height
- OE TUF-R A+C^{25W} USB charger
- International power socket options
- Stylish and robust design
- LED feature ring option



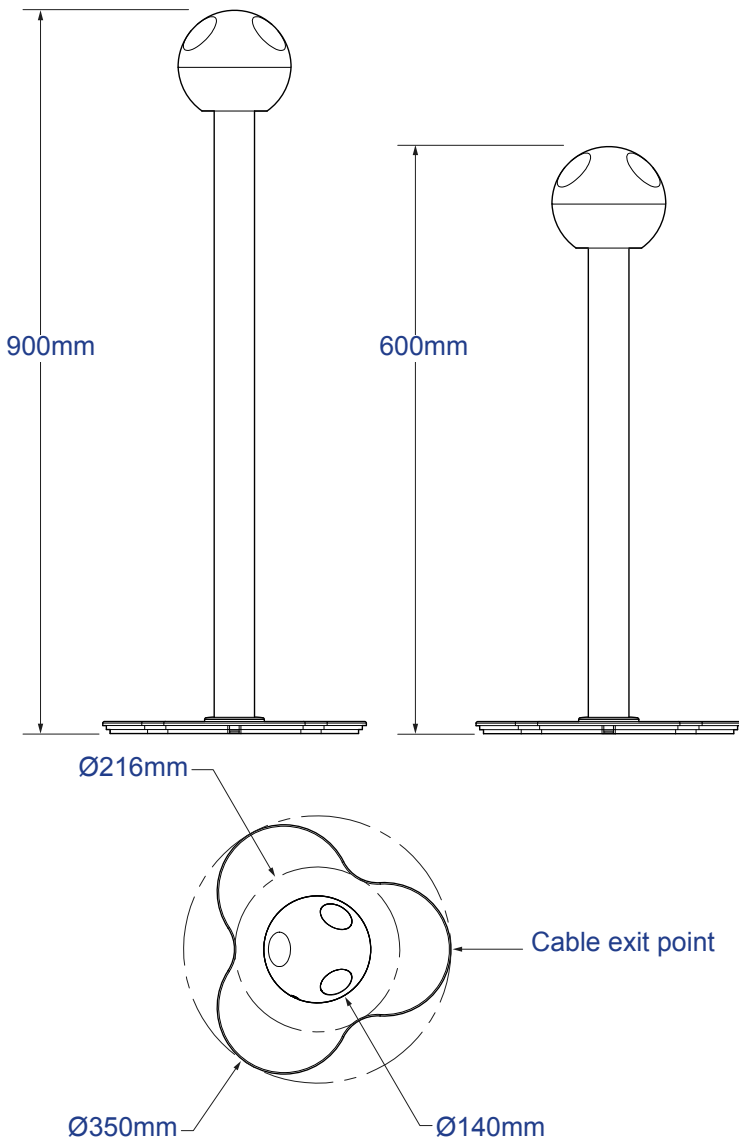
technical

Common Modular Components



Unit dimensions

PELICAN is available as standard in 900mm or 600mm size options.



The Pluto unit on which PELICAN is based is certified to BS5733.

CE marking

All units built with UK and European socket types are CE marked by OE Electrics.

Features

Configuration:

Pelican is available either as Pelican 60 (600mm high) or Pelican 90 (900mm High) The three socket apertures may be configured with our class-leading USB Fast charger (TUF 25W) and AC power sockets from the OE 42mm modular range. PELICAN is not available with data or AV sockets.

Construction

PELICAN comprises a high-strength and flame retardant PLUTO power module and underdome, bolted to a heavy duty Aluminium extruded leg which is in turn bolted to a 15mm thick powder coated steel base. The steel base includes silicon feet for use on hard floor surfaces.

Installation

Pelican is designed for on-site final assembly of Pluto unit, underdome, leg and base. See assembly instructions downloadable from OE Web site for full details.

Colours

- PLUTO body – Polished white as standard or any available Pluto colour option.
- Underdome – standard satin white or painted e.g. to match Pluto colour
- Socket fascias - black or grey
- Extruded leg - natural anodised as standard, matt white or black as options
- Steel base – RAL9006 powder coated as standard, matt white or black as options
- Power cable - white or black PVC or rayon braid to special order

Fusing: (to enable compliance to BS6396)

UK sockets can be specified with 5 x 20mm anti-surge ceramic fuses, with colour-coded fuse clips to denote the rating (3.15A/5A)

Quality and Testing:

All PELICAN units are manufactured using ISO9001 quality controlled components and practices, and are 100% tested before dispatch

- Visual: Configuration and appearance.
- Power sockets: Continuity, polarity, insulation & earth
- USB charger: Output voltage and resistance

“We test every pin in every socket in every module”

Power Cord

PELICAN is supplied with a power cord of the required length for direct connection to a floor or wall mains AC socket.

Compliant with: BS5733-2010 and IEC60884-1

Certifications