

pixelTUF

The PixelTUF from **OE** Electrics' combines an AC power socket and fully integrated TUF A+C 25W Power Delivery (PD) with both USB type-A and Type-C, in a compact 80mm grommet unit.

TUF A+C 25W Power Delivery (PD) is our next generation USB fast charging module incorporating the latest Power Delivery technology and a world first reversible USB A port. Allowing users to charge their mobile devices at optimum speeds. For a low battery boost, a quick 10-minute charge is all that is needed to add around 20% for the latest phones.

TUF's Intelligent Device Recognition (IDR) ensures your device is charged at the optimal level in the shortest time.

PixelTUF's unique patent applied for design complies with BS5733 and the sweeping organic curves ensure protection against liquid ingress as required by BS6396.



TUF A+C 25W Power Delivery



- Stylish organic design in black or white, with silver bezel
- Wide range of International AC socket options
- Tool-less installation in 80mm grommet apertures
- Requires only 50mm mounting depth
- 25W A+C USB charging with LED Power Delivery Indication
- Data or A/V cable pull through feature



Reversible USB Type
A & C sockets



oelectrics
always innovating

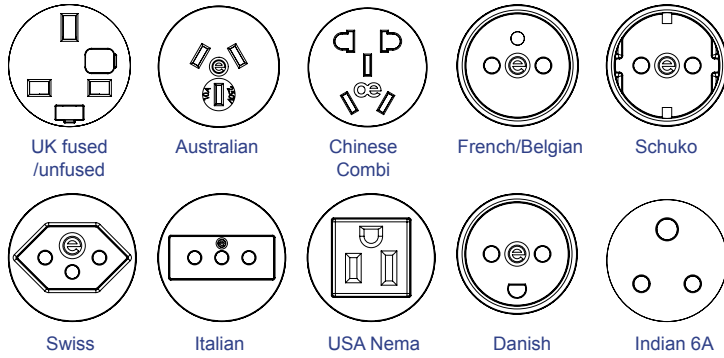
United Kingdom - USA - Germany - Dubai - Australia

OE House, Thomas Maddison Lane
Calder Park, Wakefield, WF4 3GH
Tel: +44 (0) 1924 367255 Fax: +44 (0) 1924 290652
Email: sales@oelectrics.co.uk www.oelectrics.com

OE Electrics pixelTUF October 2020 | 1

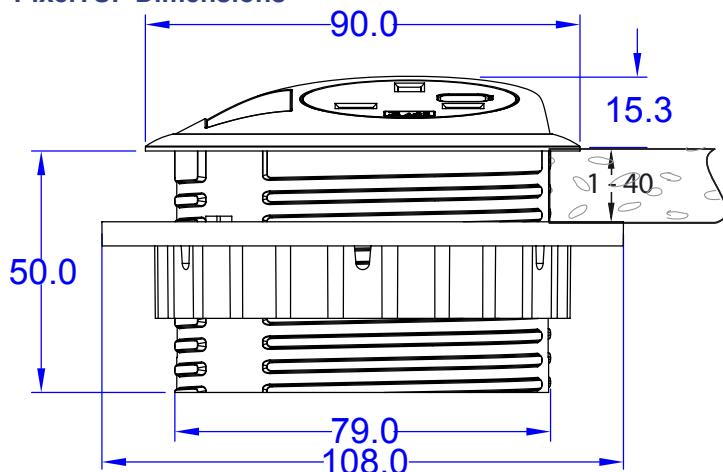
technical

AC Modular sockets for PixelTUF



USB Charger Technical Specifications	
Internal Over Temp Protection	Yes, Self Resetting Blue & Green LED flash
Internal Over Voltage Protection	Self Resetting
Output Over Current Protection	Self Limiting Type C - Flash Green Type A - Flash Blue
Short Circuit Protection	Self Resetting
USB Sockets	Gold plated for improved contact. 1 x Type A Female (Reversible) and 1 x Type C Female (Reversible) both manufactured for minimum 10.000 insertions.
Power indicator	Blue LED Standard Voltage Green LED Higher Voltage (PD/QC)
Charge Standards	(IDR) - Intelligent Device Recognition, PD3.0; QC2/QC3
Certifications	Certified to IEC 62368-1 : 2014 (safety) and EN61204 : 2000 (EMC)
Charging Current	Type C 5V/3A, 9V/2.22A, 15V/1.7A, 20V/1.2A (PD3.0) Type A: 5V/3A, 9V/2A, 12V/1.5A (QC3.0/ QC2.0) Combined (A+C) : 5V/4.0A (MAX)
Rated Total Output Power	25W
AC Voltage Range	100-240VAC at 50/60Hz
AC Input Current (Full Load)	Maximum 0.6A
Efficiency	Up to 90%
Environment	0-25°C
Standby Power	0.05W

PixelTUF Dimensions



All dimensions in millimetres

* Suitable hole cutters are available from OE Electrics. Please contact sales

Features

Power:

Single AC power socket from our 42mm range

USB Charging:

TUF A+C with a maximum combined output of 25W

Fusing: (UK socket option only to enable compliance to BS6396)

5 x 20mm anti-surge ceramic fuses, with colour-coded fuseclips to denote the rating (3.15A/5A), with spare fuse in base.

Power input:

3 core 1.5mm² power cord to GST 18i3 Wieland or appropriate power cord to national mains plug.

Data A/V cable pull though:

Single cable up to Ø9mm via knockout in pixel/TUF fascia

Cable management: attachment point for pathfinder umbilical.

Testing:

100% testing - continuity, polarity, insulation & earth, plus TUF charger output.

Colours:

Standard colours: black with silver grommet ring or white with silver grommet ring.

Custom: The grommet ring can be painted in one our eight colours.



Certifications:

UL962A/CSA22.2/BS5733

European sockets: IEC 60884-1

Fitting:

If your desk already has an industry standard 80mm hole* simply take the fixing nut off your newly purchased PixelTUF, feed the cables through the hole and gently slide your PixelTUF into place. Make sure your PixelTUF is facing the desired orientation and screw the fixing nut back on until it is firmly in place. PixelTUF will fit any surface from 1mm to 40mm.

Additional Features

- Dynamic voltage adjustment to compensate for cable voltage loss
- Protection from external surges
- Blue LED fast charge / Green LED super fast PD charge

Charging times from 10% to 90%

Device	Mins
iPhone X Max	65
iPhone X	77
Samsung S9 plus	79
Samsung S10	63
Low battery boost charge	Up to 20% in ten minutes for the latest phones