

QikFit Push Me Pull You Lid



Our **Push Me Pull You (PMPY)** in surface lid is perfect for meeting tables needing 360° user port access.

PMPY combines a near flush rotating lid assembly. The integrated brush strip and cable management system allows the lids to be closed whilst the PMPY is in use.

The compact **PMPY QF25** is ideal for small meeting tables, whilst for larger tables the **PMPY 45** unit will meet most requirements.

PMPY lid provides an ideal solution for accessing under surface power.

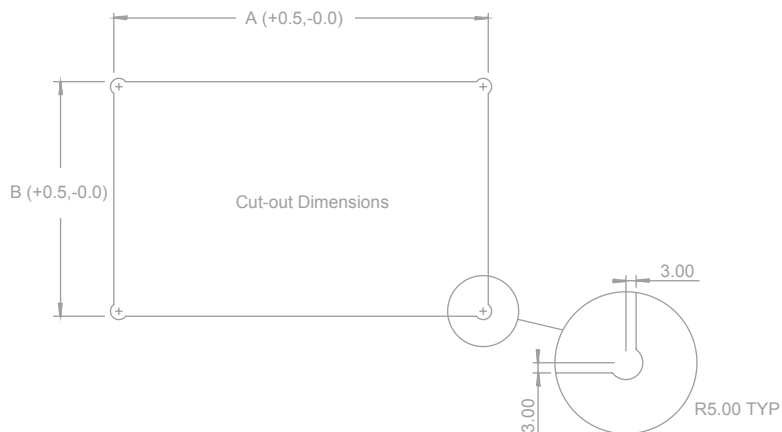


USPs

- Quick & easy to install
- 360° user access
- Cable guides prevent damage

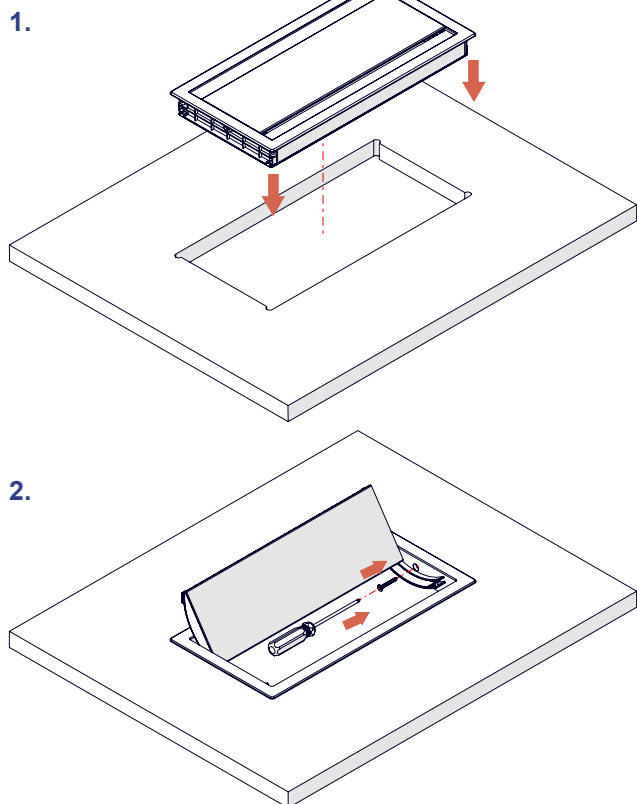
technical

QikFit PMPY Cutout



PRODUCT	Dim A (mm)	Dim B (mm)
PMPY 25	221.00	138.50
PMPY 45	284.00	138.50

Fitting



Features

Colours:

Frame and lid: Natural anodised aluminium

Construction

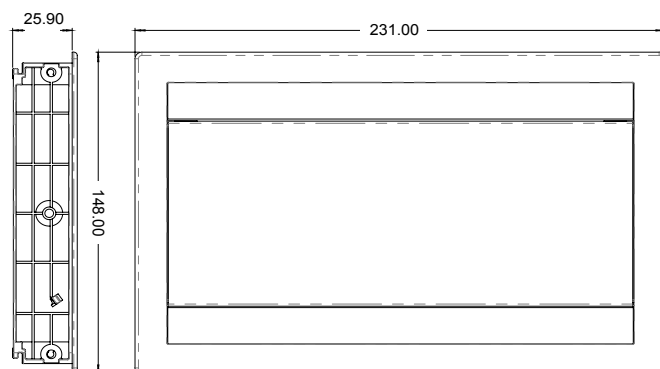
Frame & Lid: Anodised aluminium extrusion plus moulded end caps

Mounting

Lid screwed in to position in two places. The undercarriage is screwed into place underneath. Min desk thickness - 15mm.*

QikFit PMPY Dimensions

QikFit PMPY 25



QikFit PMPY 45

