

power & data grommet

A compact single socket power “Cleaners” grommet with two optional data outlets designed to fit in a standard 127mm (5”) floor cut out. The heavy duty self-closing hinged lid ensures compliance with both UK & International standards and the integrated cable flap allows the lid to be closed when in use.



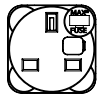
USPs

- Industry standard 5” (127mm) grommet
- Single power socket
- Optional 1 or 2 data outlets
- Hinged Lids

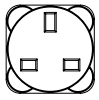


technical

Modular Components



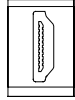
UK fused



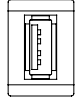
UK unfused



cat5e/cat6



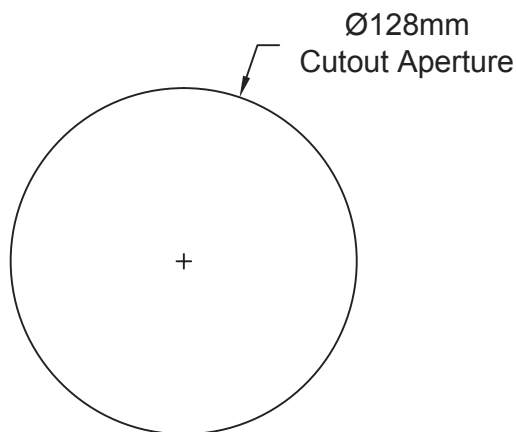
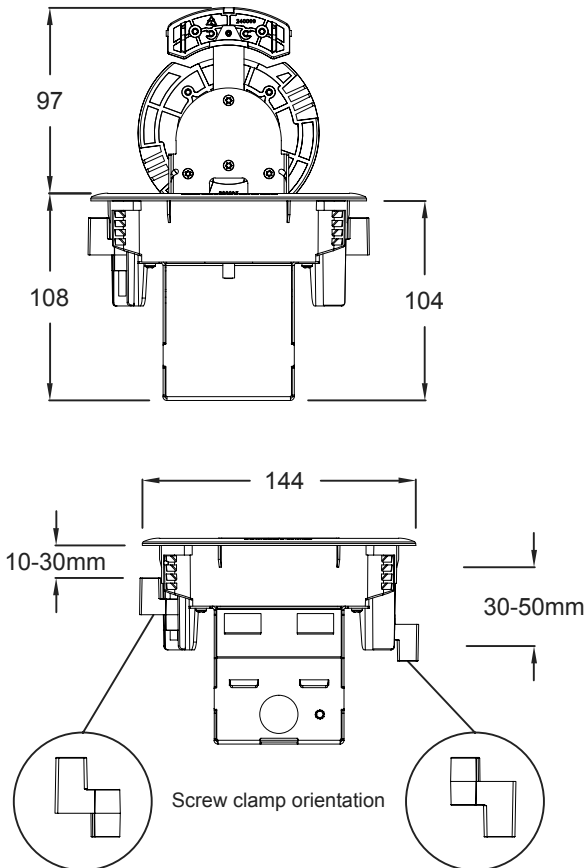
HDMI



USB

*See website for more

Standard Unit Lengths



Features

Configuration

Power: Single OE 42mm type mains power socket e.g. UK 13A

Data: Single or double keystone data couplers

Construction

Grommet & Lid - Glass filled nylon

Back Box - Powder coated mild steel

Socket Fascia - Polycarbonate

Colours

Grommet - Graphite Grey

Back Box - Grey RAL7004

Socket Fascia - RAL7004

IP rating

Minimum IP20

Installation

Our Power and Data grommet has both ribbed interference features and screw clamps to allow installation in 125-128mm (5") diameter apertures in a wide range of floor surfaces.

Fusing

UK 13A sockets are supplied unfused as standard but can optionally be specified with 3.15A or 5A fuses.

Power connection options

- Hardwired power cord to GST18-3, or Single power socket
- Specified floor track tap off
- Wieland Metalyx 2 cable
- 20mm cable gland for field wiring
- 20mm cut out for field wiring

Quality & Testing

Units are 100% electrically tested before despatch

Certifications

The grommet has been designed to comply with IEC61534-22 and are assembled utilising fully certified power sockets and other components for the country of intended use.