

prelude

PRELUDE desk top unit features an extrusion with two separate compartments. Power and data wiring may then be completely segregated. This allows shorter more compact units.

Data connectors may be mounted in the end caps allowing the lower compartment to be used as a wipe in facility for storage of excess cables on the desk top.

PRELUDE may be mounted vertically or horizontally yet is capable of providing all the facilities required in the modern office. Prelude is suitable for Hot-desking, personal power as well as assisting in meeting the requirements of the Disability Discrimination Act (DDA) in the workplace by providing facilities, accessible to all, on the worksurface. Used in conjunction with underdesk units PRELUDE provides a total solution for power and data connectivity at the workstation. Please have a look at the POWERSTATION for total distribution solution.

Based on an aluminium extrusion in lengths of up to 3 metres, PRELUDE may be used to accommodate mains sockets, data and other connectors as a comprehensive desk top unit to the customers exact specification. Mounted back to back, PRELUDE is an ideal solution for the provision of Power and data on Bench or Library style back to back workstation configurations. Please call **OE** Electrics to discuss your precise requirements.

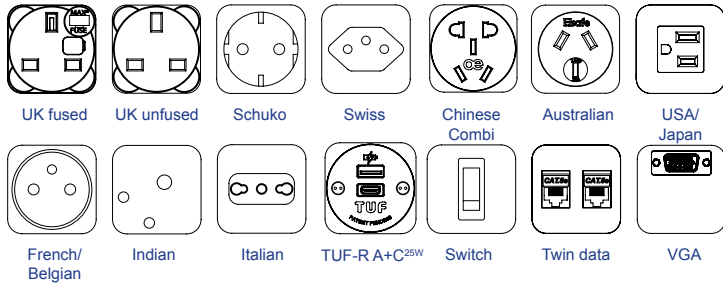
USPs

- Power & data are completely segregated
- Can be mounted horizontally or vertically
- Available with TUF charger
- BS6396 compliant (where applicable)
- Available with sockets from different nationalities



technical

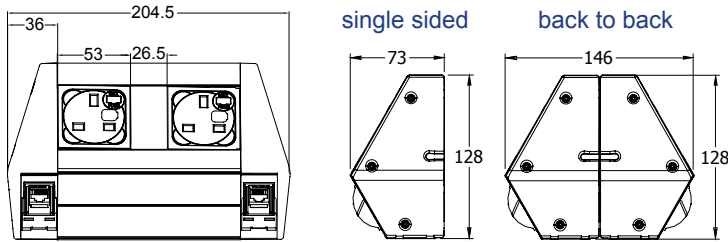
Common Modular Components*



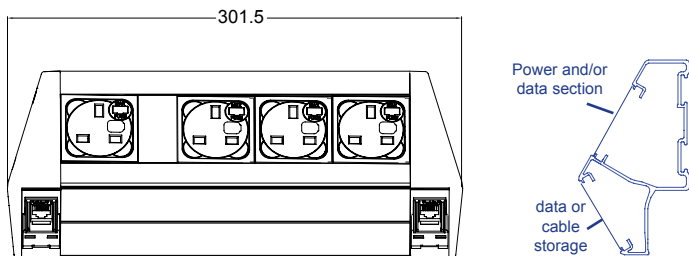
*See website for more

Standard Unit Lengths

Prelude 25/...



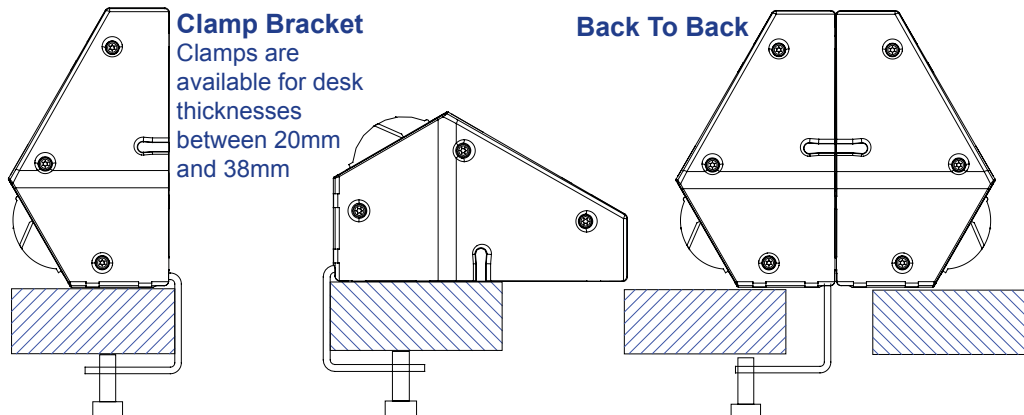
Prelude 45/...



Standard Fixings

- CBH Clamp Bracket 20 - 38mm
- FTL Stick down fixing (Horizontal)
- TRB Tool rail fixing (Vertical)*
- RF Rubber feet (Horizontal)
- B2B Back To Back bracket (Vertical)

*Please call to confirm screen/toolrail compatibility



Custom brackets available on application

Features

Configuration:

Power only / Data only / Combined (Power & Data/AV)
Internal segregation between Power and Data/AV in combined PRELUDE units

Earthing:

A rewirable external earth terminal allows the removal/change of earth bonding leads to allow bonding to furniture (in accordance with BS6396). Earth leads are available on request.

Fusing: (to enable compliance to BS6396)

5 x 20mm anti-surge ceramic fuses, with colour-coded fuseclips to denote the rating (3.15A/5A)

Security:

ANTI-FLEX system: Unique full length locking system guarantees unit integrity regardless of length

Testing:

100% testing - continuity, polarity, insulation & earth

Soft Wiring (power)

Power hardwired to Wieland GST connector allows starter cables to be changed to suit requirements, especially useful during moves and changes (CHURN)

Soft Wired Data

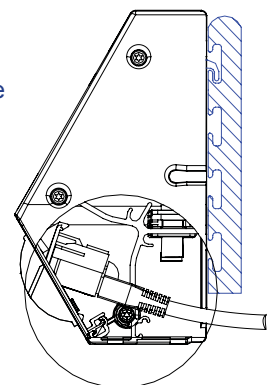
As well as soft-wired power, PRELUDE can accommodate soft wired data. Using our inline couplers, data cables can be changed "on-site" to accommodate changes in length often associated with churn

Soft Fixing

PRELUDE is designed to allow brackets to be changed on-site. Unless stated otherwise, PRELUDE can simply be moved (using the same brkt) or attached to another feature on the desk simply by changing the bracket

Screen Fixing

Screen/toolrail fixings can be provided to suit most applications - call our technical team for advice on which to use



Angled data fascias allow data cabling to pass straight through PRELUDE, ensuring the integrity of cables which have a minimum bend radii (CAT5e, CAT6, etc)