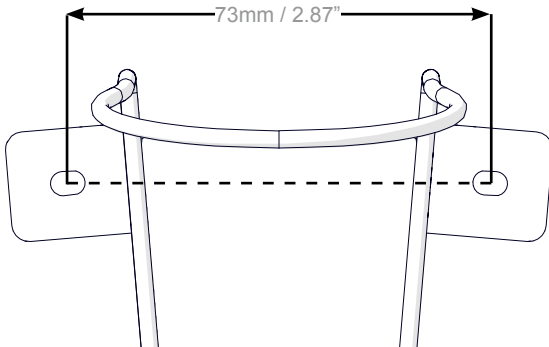


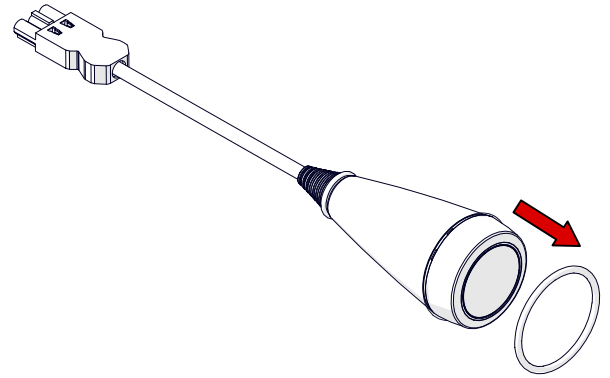
PENDULUM CAGE installation instructions

Under Surface

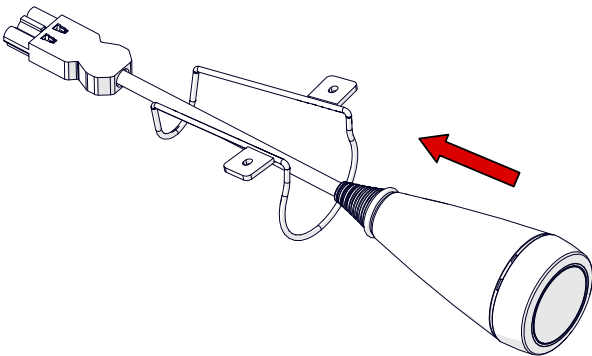
1 Distance of screws for cage



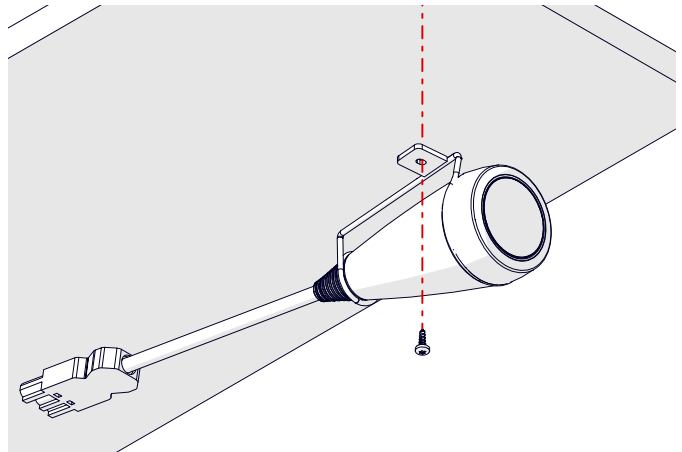
2 Remove the ring



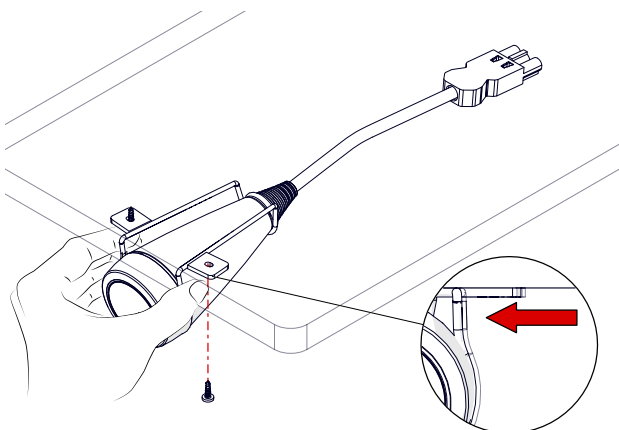
3 Slide into cage



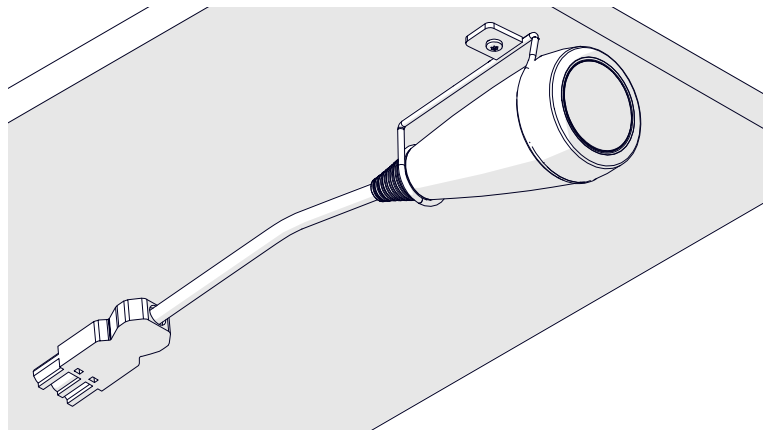
4 Fit one fixing screw



5 Squeeze cage and fit second screw

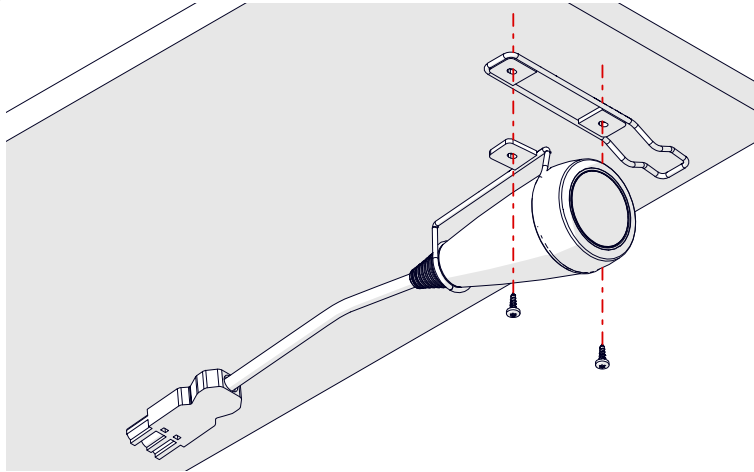


6



Cable Tidy

1 Screw in the cable tidy



2

