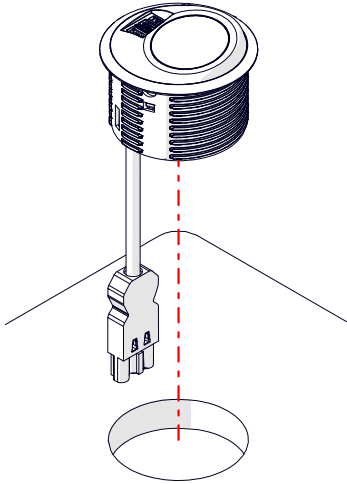
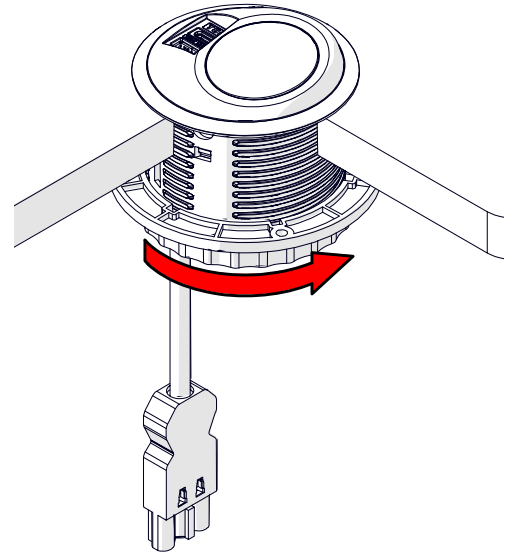
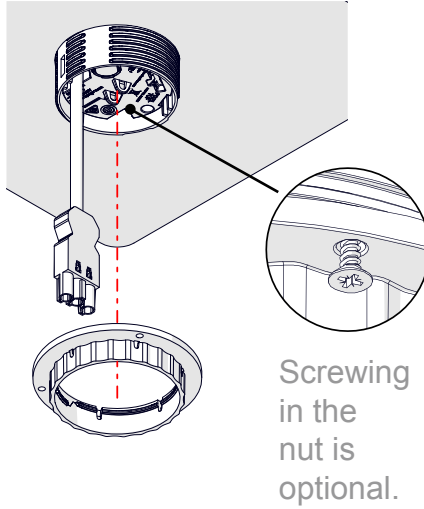


1 Feed PIXEL through the 80mm (3.15") hole.



2 Check to ensure orientation of PIXEL is correct when tightening nut. Screw on retaining nut until firmly in place.



3

