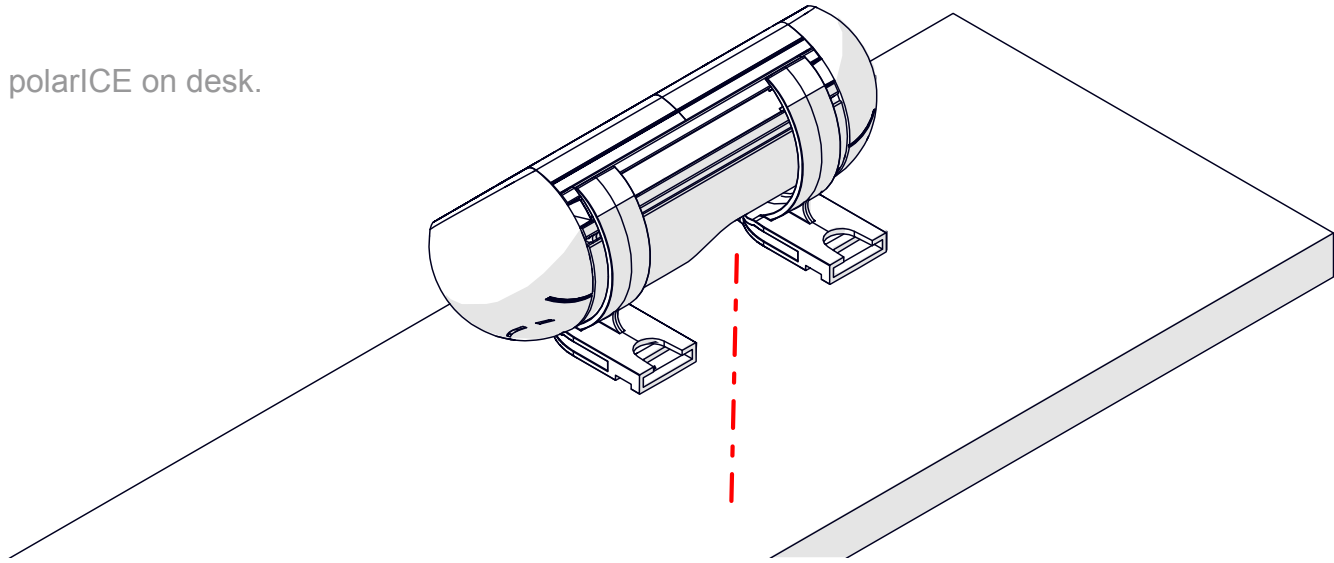
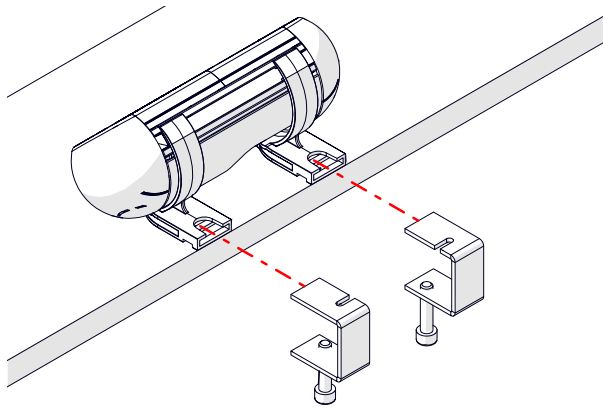


1 Place polarICE on desk.



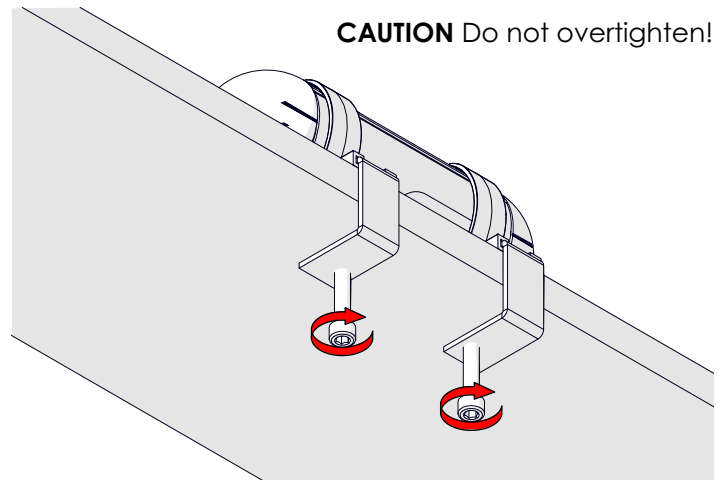
2 Insert mounting brackets.



3 Tighten screws.



CAUTION Do not overtighten!



4

