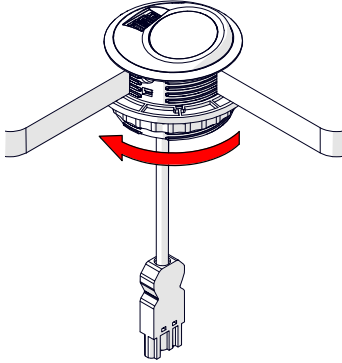
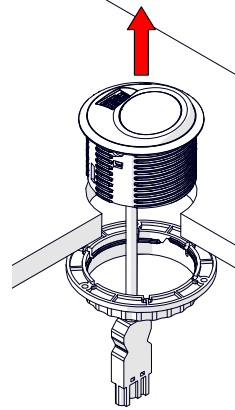


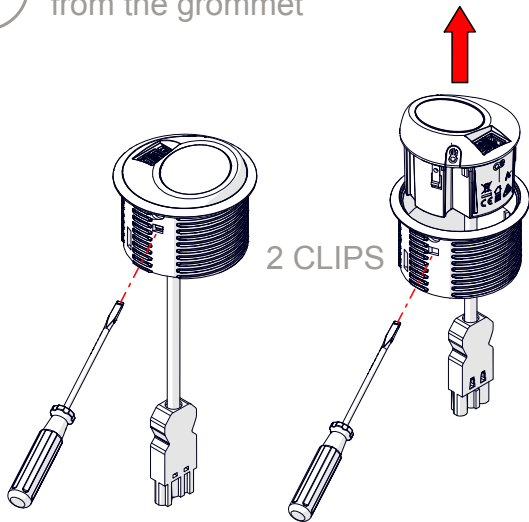
1 Remove the locking nut from the PIXEL unit



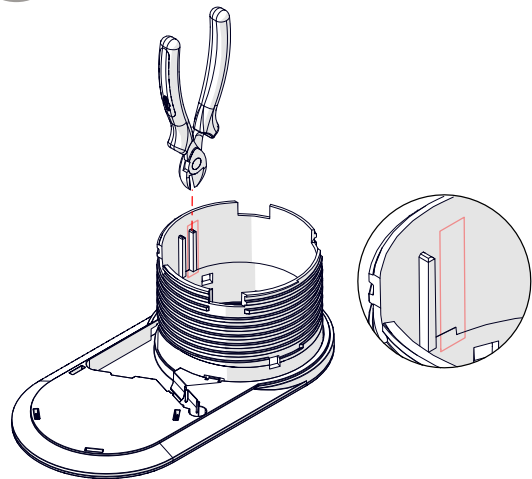
2 Remove the PIXEL from the cutout



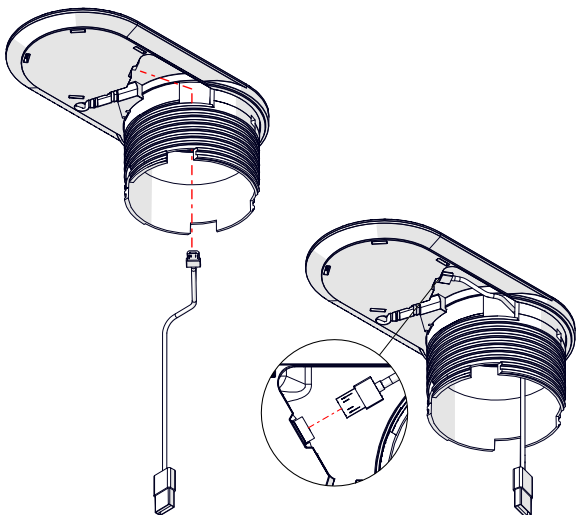
3 Release the PIXEL from the grommet



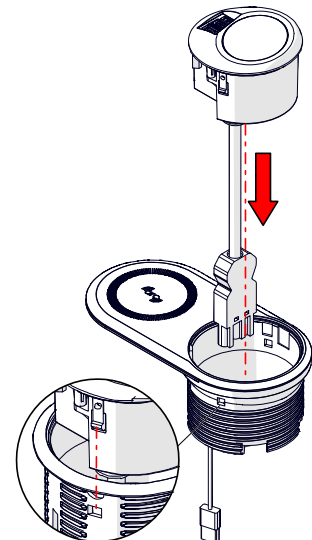
4 Remove the rib from the grommet (not required for pixelTUF)



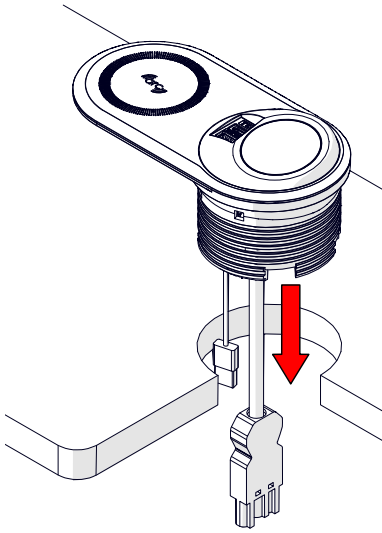
5 Feed micro USB through ARC-G grommet and connect to charging coil



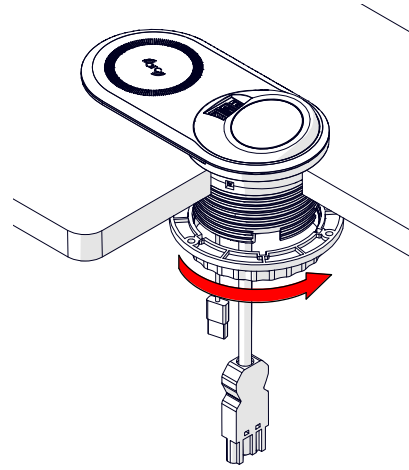
6 Fit PIXEL into the ARC-G grommet



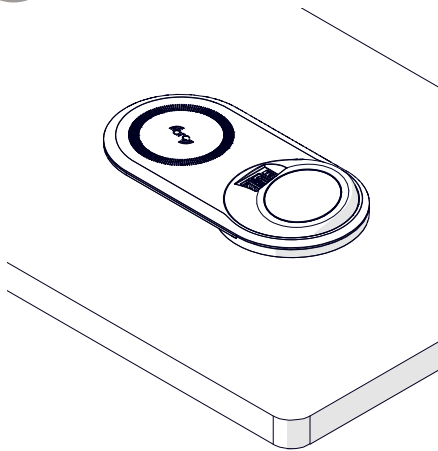
7 Fit the pixelARC grommet into the cutout



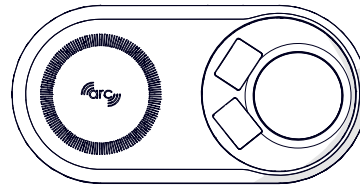
8 Secure pixelARC in place



9



pixelARC orientation



pixeltufARC orientation

