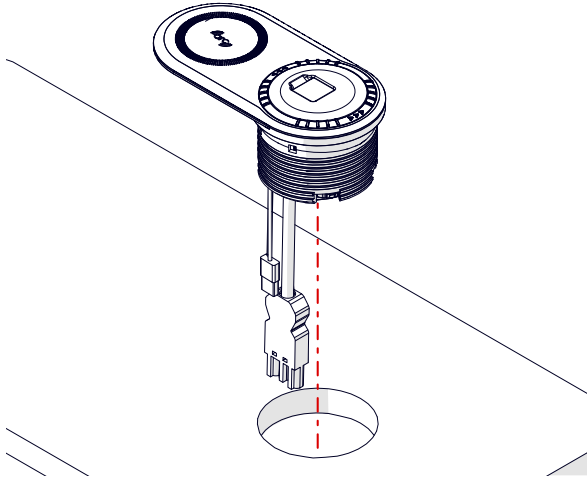


PABLO-ARC installation instructions

- 1 Feed PABLO-ARC through the 80mm (3.15") hole.



- 2 Check to ensure orientation of PABLO-ARC is correct when tightening nut. Screw retaining nut until firmly in place.

