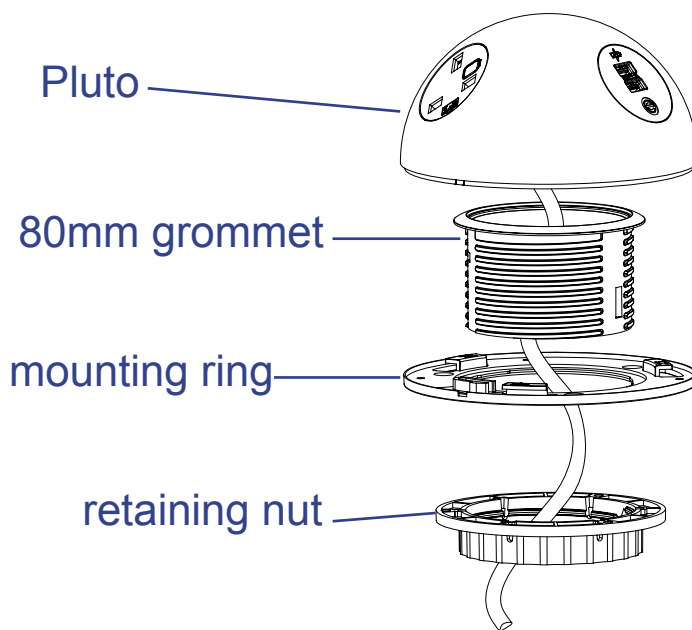
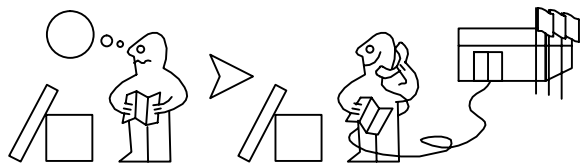


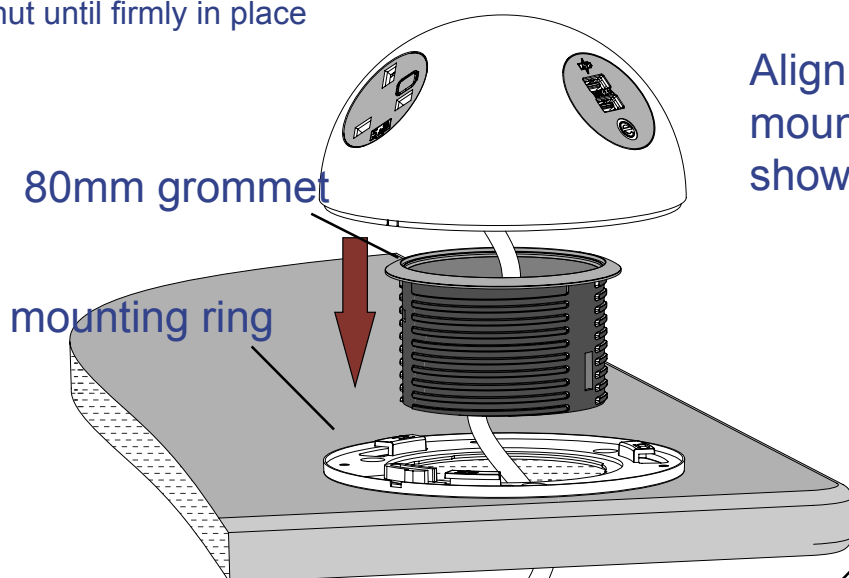
Queries

+44 (0) 1924 367255

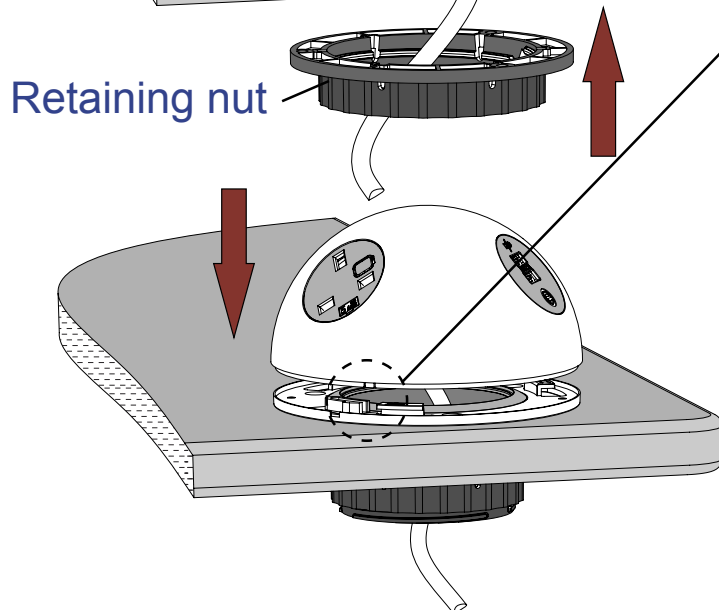
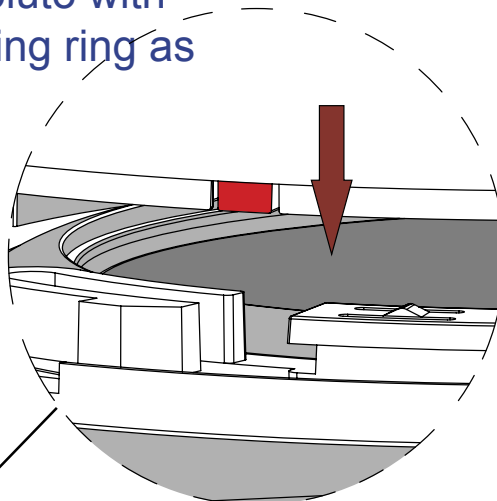


Place mounting ring over 80mm hole.

Place 80mm grommet into mounting ring and screw up retaining nut until firmly in place



Align pluto with mounting ring as shown



Twist PLUTO into place until you hear a 'click'

